



Nexans Ref.: 440PB

**CONTACT**

Sales EUROMOLD  
sales.euromold@nexans.com

**Up to 42 kV - 630 A (1250 A)**  
EUROMOLD Coupling connector for 440TB

**STANDARDS**

**Product** CENELEC EN 50180

**Test** CENELEC HD 629.1

**APPLICATION**

Separable coupling connector (bolted type) for dual cable arrangement. It has been designed to be used with 440TB separable Tee connector.

**TECHNICAL CHARACTERISTICS**

- A thick conductive EPDM jacket provides a total safe to touch screen.
- Each separable connector is tested for AC withstand and partial discharge prior to leaving the factory.

**CHARACTERISTICS**

**Construction characteristics**

Connector shape	T-shaped
Connector type	Male
Conductor material	Copper or Aluminum
Technology	Slip-On

**Dimensional characteristics**

Conductor cross-section, range	185 ... 630 mm <sup>2</sup>
--------------------------------	-----------------------------

**Electrical characteristics**

Rated Voltage U <sub>o</sub> /U (Um)	20,8/36 (42) kV
Maximal partial discharge at 2U <sub>o</sub>	10 pC
Dielectric withstand voltage, 50Hz 1mn	93.5 kV
Impulse voltage	200 kV

**Usage characteristics**

Interface	C (630 - 1250 A)
-----------	------------------



Connector shape  
T-shaped

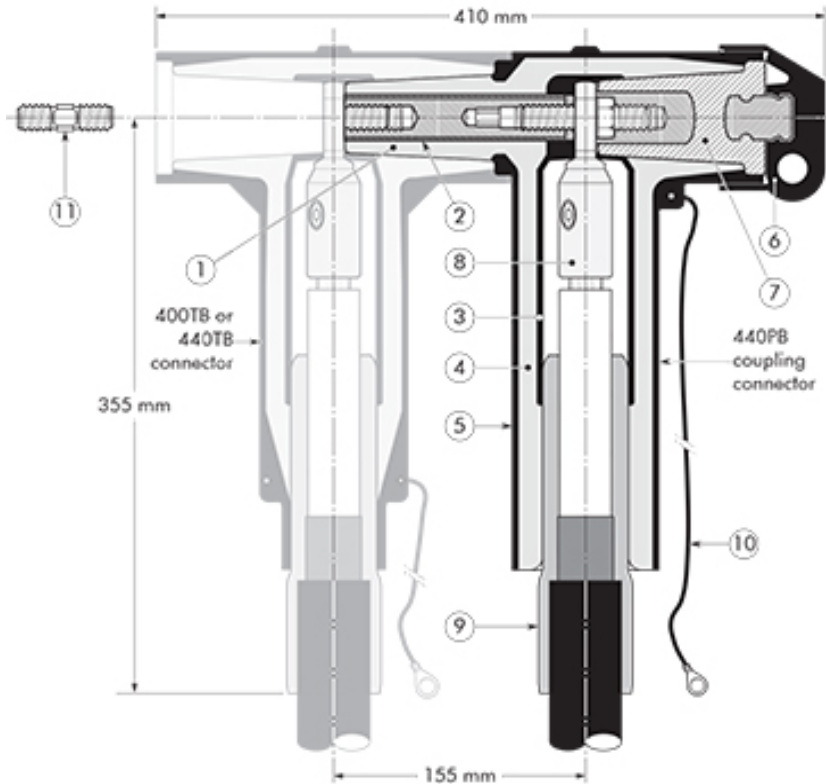


Rated Voltage U<sub>o</sub>/U (Um)  
20,8/36 (42) kV



Interface  
C (630 - 1250 A)

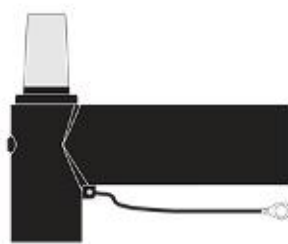
### DESIGN



### Design

1. Interface designed to fit 400TB/440TB connector.
2. Bus for 440PB.
3. Conductive EPDM insert.
4. Insulating EPDM layer moulded between the insert and the jacket.
5. Conductive EPDM jacket.
6. Conductive EPDM cap.
7. Basic insulating plug.
8. Conductor connector (hexagonal crimping, deep indent crimping or bolted).
9. Cable reducer.
10. Earthing lead.
11. Threaded M16 stud for the equipment bushing.

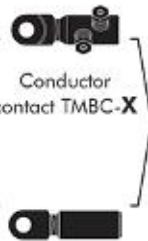
### KIT CONTENTS



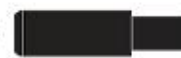
Connector housing  
(K)(M)(P)440BP/G



Contact rod  
440PB-CR  
+ M16 stud



Conductor  
contact TBC-X



Cable reducer  
611CA-W

The kit also comprises silicone grease, field control mastic, installation rod, installation instructions and crimp chart.

= 3 x (K)(M)(P)440PB/G-W-X  
coupling connector kit



Connector shape  
T-shaped



Rated Voltage  $U_0/U$  ( $U_m$ )  
20,8/36 (42) kV



Interface  
C (630 - 1250 A)