



Nexans Ref.: 800PB - Interface C - Coupling connector

CONTACT

Sales EUROMOLD
sales.euromold@nexans.com

Up to 42 kV - 1250 A
EUROMOLD coupling connector

STANDARDS

Product CENELEC EN 50180

Test CENELEC HD 629.1

APPLICATION

Separable coupling connector for dual cable arrangement. It has been designed to be used with 480TB, 484TB and 489TB separable tee connectors.

Can also be installed on any 8-series coupling connector for a multiple cable arrangement.

TECHNICAL CHARACTERISTICS

- A thick conductive EPDM jacket provides a total safe to touch screen.
- Each separable connector is tested for AC withstand and partial discharge prior to leaving the factory.

CHARACTERISTICS

Construction characteristics

Connector shape	T-shaped
Connector type	Male
Conductor material	Copper or Aluminum
Technology	Slip-On

Dimensional characteristics

Conductor cross-section, range	630 ... 1200 mm ²
--------------------------------	------------------------------

Electrical characteristics

Rated Voltage U _o /U (Um)	-
Maximal partial discharge at 2U _o	10 pC
Dielectric withstand voltage, 50Hz 1mn	93.5 kV
Impulse voltage	200 kV

Usage characteristics

Interface	C (630 - 1250 A)
-----------	------------------



Connector shape
T-shaped

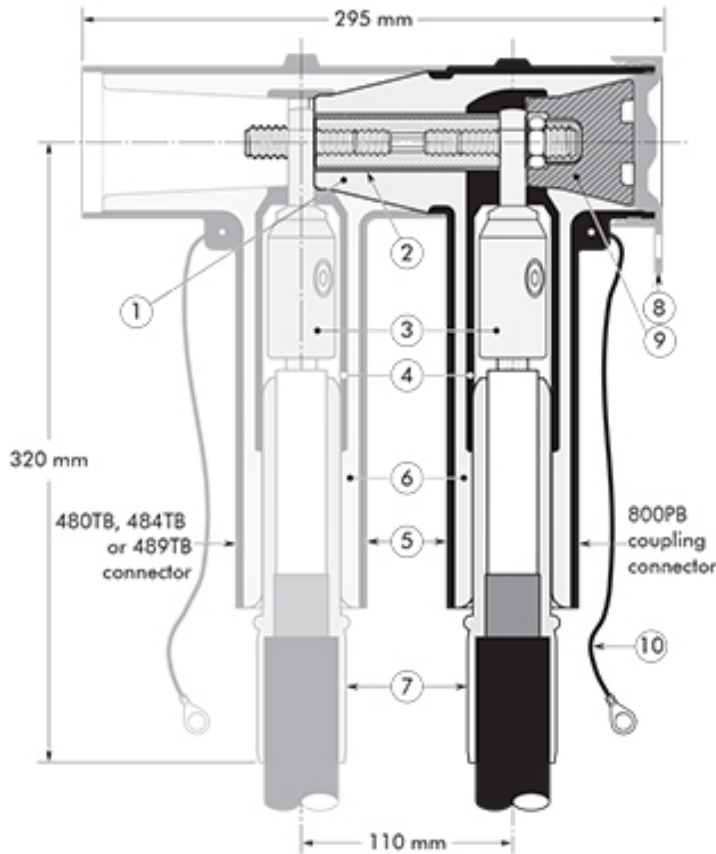


Rated Voltage U_o/U (Um)
-



Interface
C (630 - 1250 A)

DESIGN



1. Interface designed to fit 480TB, 484TB and 489TB connectors.
2. Contact rod for 800PB.
3. Conductor contact.
4. Conductive EPDM insert.
5. Conductive EPDM jacket.
6. Insulating EPDM layer moulded between the insert and the jacket.
7. Cable reducer.
8. Conductive EPDM cap.
9. Basic insulating plug.
10. Earthing lead.

The screen break design enables cable outer sheath testing without removing or dismantling the connector.



Connector shape
T-shaped



Rated Voltage U_0/U (Um)
-



Interface
C (630 - 1250 A)