

Up to 41,5 kV - 630 A (1250A)  
EUROMOLD tee connector

### STANDARDS

Product CENELEC EN 50180

Test CENELEC HD 629.1

### APPLICATION

Separable tee shape connector (bolted type) designed to connect polymeric insulated cable to equipment (transformers, switchgear, motors, ...). Also connects cable to cable when using the appropriate mating parts.

### TECHNICAL CHARACTERISTICS

The thick conductive EPDM jacket provides a total safe to touch screen which ensures safety for personnel. Each separable connector is tested for AC withstand and partial discharge prior to leaving the factory.

Nexans Ref.: 440TB

### CONTACT

Sales EUROMOLD  
sales.euromold@nexans.com

## CHARACTERISTICS

### Construction characteristics

Connector shape	T-shaped
Connector type	Outer cone
Conductor material	Copper or Aluminum
Technology	Slip-On

### Dimensional characteristics

Conductor cross-section, range	185 ... 630 mm <sup>2</sup>
--------------------------------	-----------------------------

### Electrical characteristics

Rated Voltage U <sub>o</sub> /U (Um)	20,8/36 (42) kV
Maximal partial discharge at 2U <sub>o</sub>	10 pC
Dielectric withstand voltage, 50Hz 1mn	93.5 kV
Impulse voltage	200 kV

### Usage characteristics

Interface	C (630 - 1250 A)
-----------	------------------



Connector shape  
T-shaped

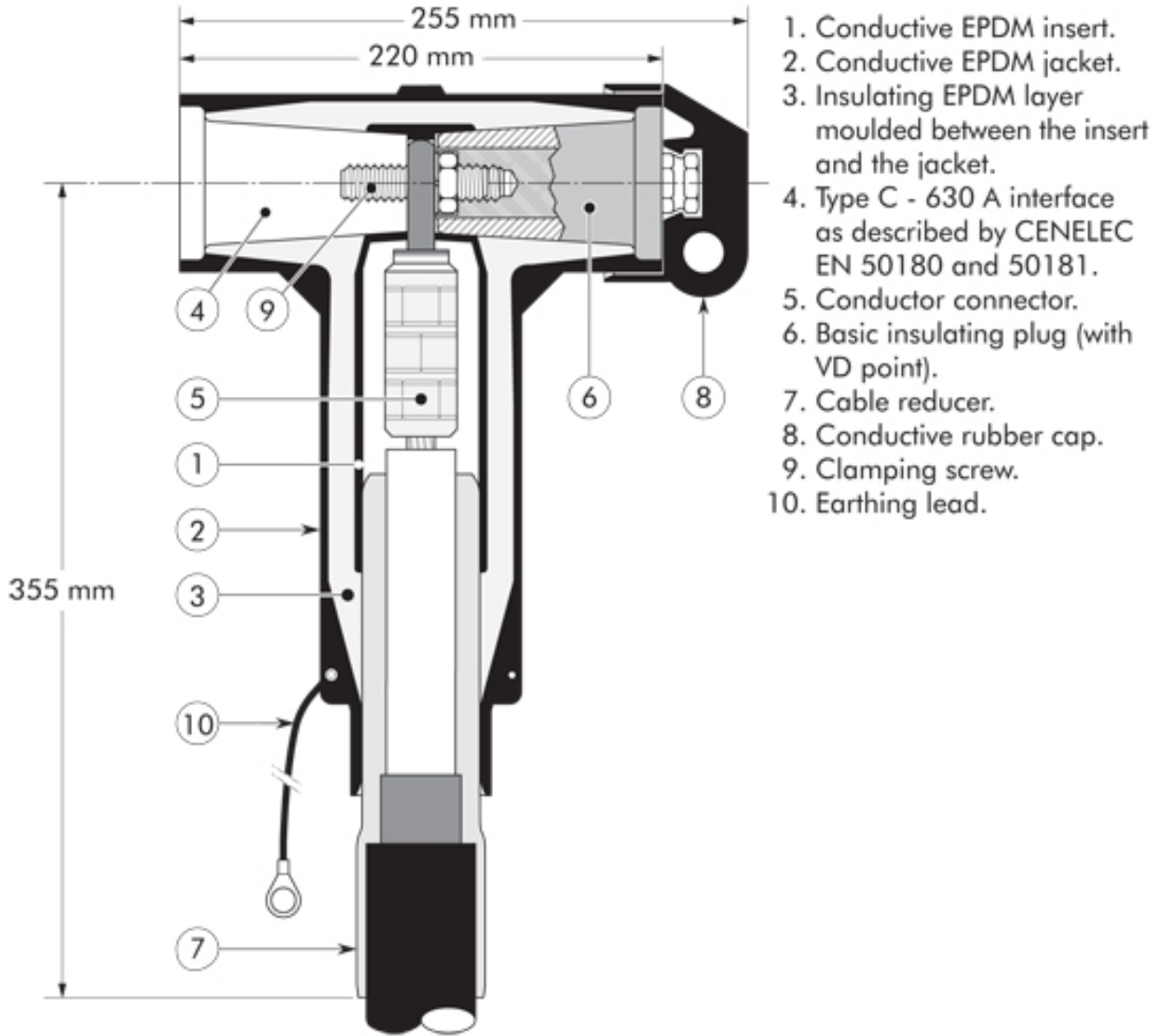


Rated Voltage U<sub>o</sub>/U (Um)  
20,8/36 (42) kV



Interface  
C (630 - 1250 A)

**DESIGN 440TB**



1. Conductive EPDM insert.
2. Conductive EPDM jacket.
3. Insulating EPDM layer moulded between the insert and the jacket.
4. Type C - 630 A interface as described by CENELEC EN 50180 and 50181.
5. Conductor connector.
6. Basic insulating plug (with VD point).
7. Cable reducer.
8. Conductive rubber cap.
9. Clamping screw.
10. Earthing lead.



Connector shape  
T-shaped

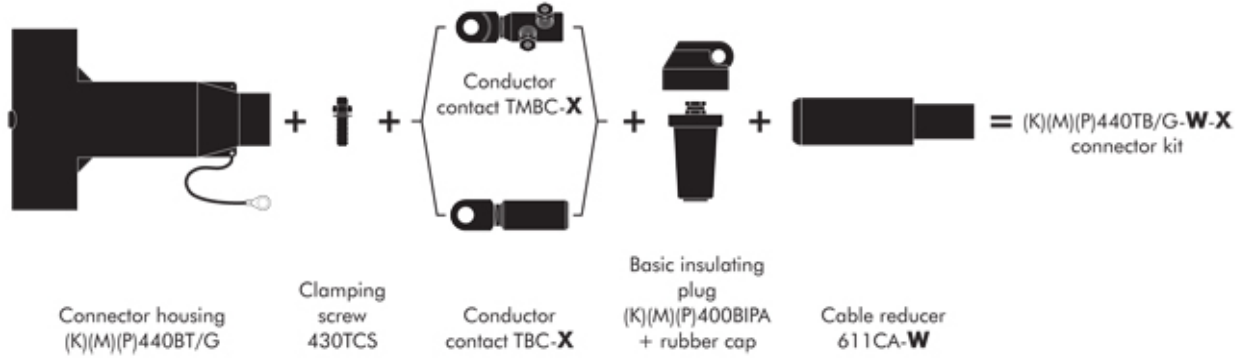


Rated Voltage  $U_0/U$  ( $U_m$ )  
20,8/36 (42) kV



Interface  
C (630 - 1250 A)

**KIT CONTENTS 440TB**



Connector shape  
T-shaped



Rated Voltage U<sub>o</sub>/U (U<sub>m</sub>)  
20,8/36 (42) kV



Interface  
C (630 - 1250 A)