



Nexans Ref.: 400TB

### CONTACT

Sales EUROMOLD  
sales.euromold@nexans.com

Up to 41,5 kV - 630 A (800A)  
EUROMOLD tee connector

### STANDARDS

Test CENELEC HD 629.1

### APPLICATION

Separable tee shape connector (bolted type) designed to connect polymeric insulated cable to equipment (transformers, switchgear, motors, ...). Also connects cable to cable when using the appropriate mating parts.

### TECHNICAL CHARACTERISTICS

The thick conductive EPDM jacket provides a total safe to touch screen which ensures safety for personnel.  
Each separable connector is tested for AC withstand and partial discharge prior to leaving the factory.

## CHARACTERISTICS

### Construction characteristics

Connector shape	T-shaped
Connector type	Outer cone
Conductor material	Copper or Aluminum
Technology	Slip-On

### Dimensional characteristics

Conductor cross-section, range	35 ... 300 mm <sup>2</sup>
--------------------------------	----------------------------

### Electrical characteristics

Rated Voltage U <sub>o</sub> /U (Um)	20,8/36 (42) kV
Maximal partial discharge at 2U <sub>o</sub>	10 pC
Dielectric withstand voltage, 50Hz 1mn	93.5 kV
Impulse voltage	200 kV

### Usage characteristics

Interface	C (630 - 1250 A)
-----------	------------------



Connector shape  
T-shaped

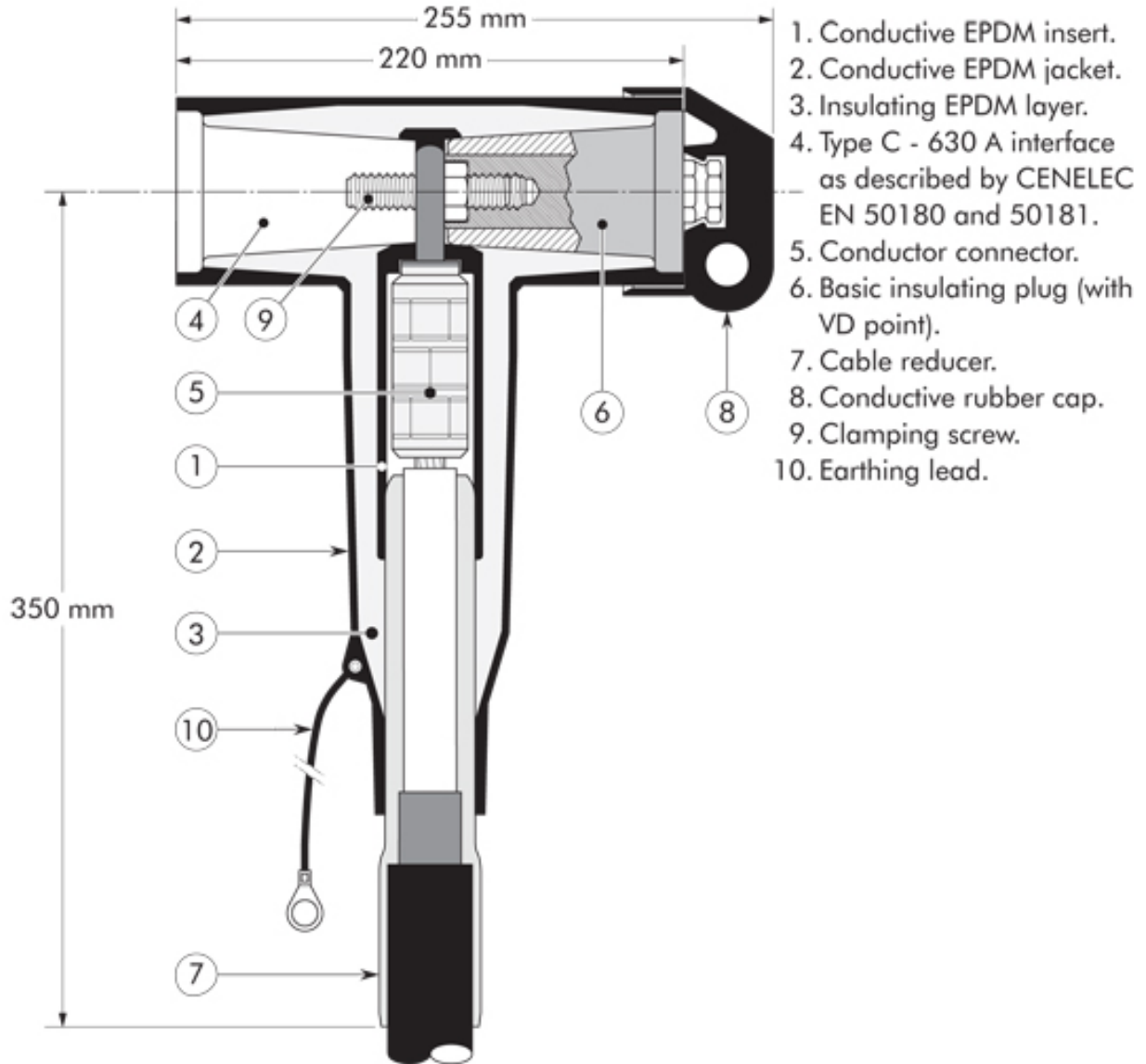


Rated Voltage U<sub>o</sub>/U (Um)  
20,8/36 (42) kV



Interface  
C (630 - 1250 A)

**DESIGN 400TB**



Connector shape  
T-shaped

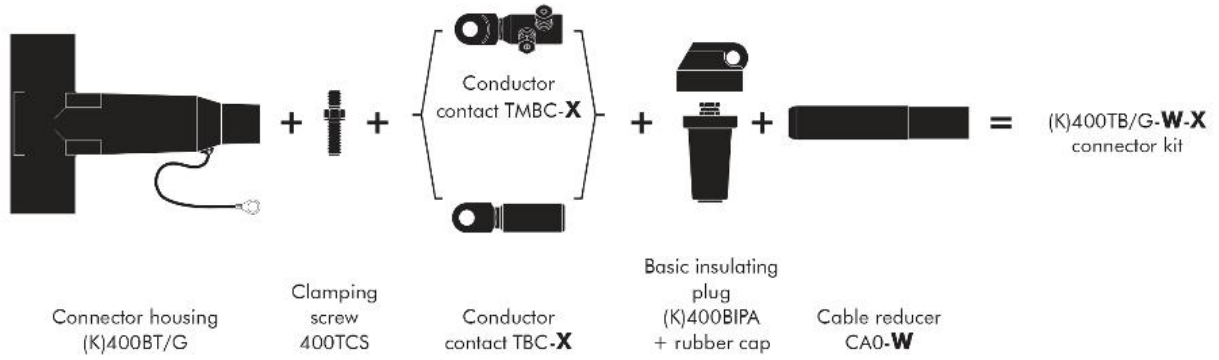


Rated Voltage  $U_0/U$  ( $U_m$ )  
20,8/36 (42) kV



Interface  
C (630 - 1250 A)

**KIT CONTENTS 400TB**



Connector shape  
T-shaped



Rated Voltage U<sub>o</sub>/U (U<sub>m</sub>)  
20,8/36 (42) kV



Interface  
C (630 - 1250 A)