



Nexans Ref.: 804PB

CONTACT

Sales EUROMOLD
sales.euromold@nexans.com

Up to 42 kV - 630 (1250 A)
EUROMOLD coupling connector

STANDARDS

Test CENELEC HD 629.1

APPLICATION

Separable coupling connector (bolted type) for dual cable arrangement. It has been designed to be used with 480TB, 484TB and 489TB separable tee connectors.

TECHNICAL CHARACTERISTICS

- A thick conductive EPDM jacket provides a total safe to touch screen.
- Each separable connector is tested for AC withstand and partial discharge prior to leaving the factory.

These products are part of our windlink® offer dedicated to windturbines.

CHARACTERISTICS

Construction characteristics

Connector shape	T-shaped
Connector type	Male
Conductor material	Copper or Aluminum
Technology	Slip-On

Dimensional characteristics

Conductor cross-section, range	50 ... 630 mm ²
--------------------------------	----------------------------

Electrical characteristics

Rated Voltage U _o /U (Um)	20,8/36 (42) kV
Maximal partial discharge at 2U _o	10 pC
Dielectric withstand voltage, 50Hz 1mn	93.5 kV
Impulse voltage	200 kV

Usage characteristics

Interface	C (630 - 1250 A)
-----------	------------------



Connector shape
T-shaped

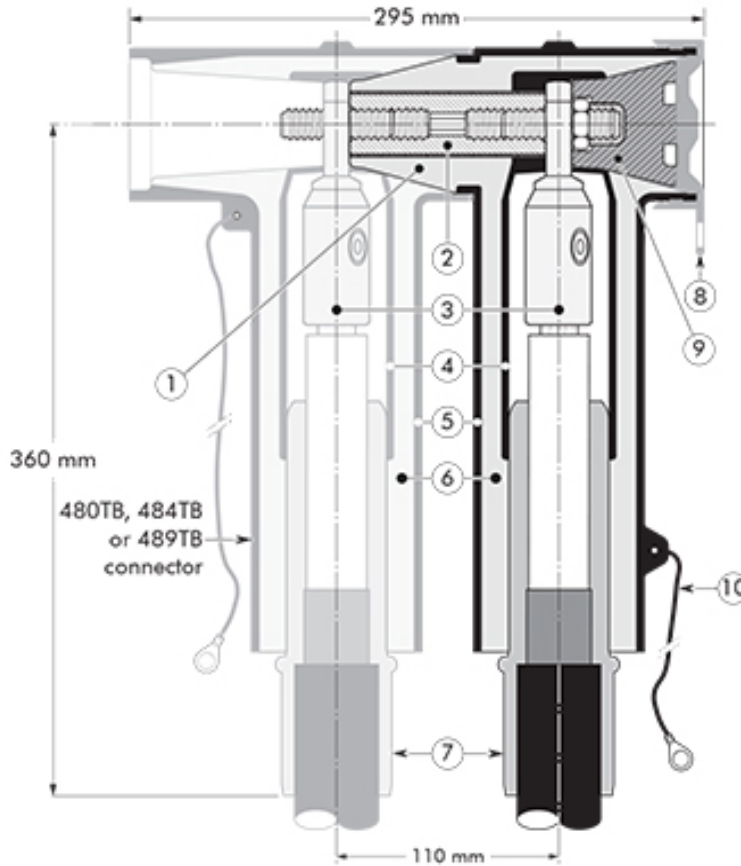


Rated Voltage U_o/U (Um)
20,8/36 (42) kV



Interface
C (630 - 1250 A)

DESIGN



1. Interface designed to fit 480TB, 484TB and 489TB connector.
2. Contact rod for 804PB.
3. Conductor contact.
4. Conductive EPDM insert.
5. Conductive EPDM jacket.
6. Insulating EPDM layer moulded between the insert and the jacket.
7. Cable reducer.
8. Conductive EPDM cap.
9. Basic insulating plug (with VD point).
10. Earthing lead.



Connector shape
T-shaped



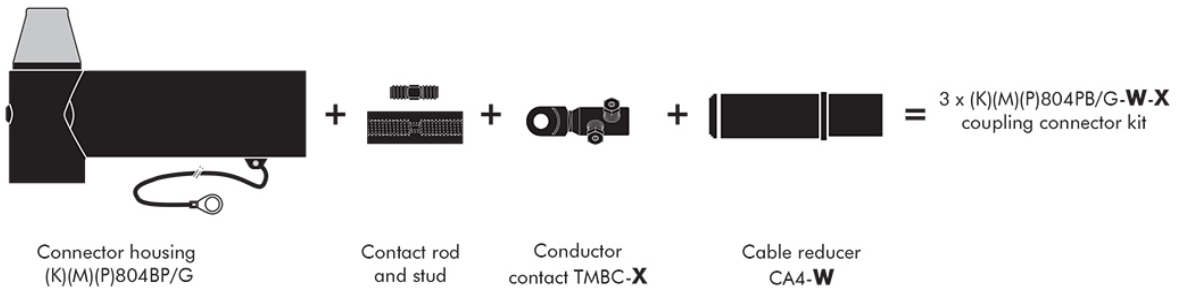
Rated Voltage U_0/U (U_m)
20,8/36 (42) kV



Interface
C (630 - 1250 A)

KIT CONTENTS

The kit also comprises silicone grease, gloves, wipers, roll adhesive tape, installation instructions and crimp chart.



Connector shape
T-shaped



Rated Voltage U_o/U (U_m)
20,8/36 (42) kV



Interface
C (630 - 1250 A)