



Nexans Ref.: 489TB

CONTACT

Sales EUROMOLD
sales.euromold@nexans.com

Up to 42 kV - 1250 A
EUROMOLD tee connector

STANDARDS

Product CENELEC EN 50180

Test CENELEC HD 629.1

APPLICATION

Separable tee shape connector (bolted type) designed to connect polymeric insulated cable to equipment (transformers, switchgear, motors, ...).
Also connects cable to cable when using the appropriate mating parts.

TECHNICAL CHARACTERISTICS

- A thick conductive EPDM jacket provides a total safe to touch screen.
- Each separable connector is tested for AC withstand and partial

CHARACTERISTICS

Construction characteristics

Connector shape	T-shaped
Connector type	Outer cone
Conductor material	Copper or Aluminum
Technology	Slip-On

Dimensional characteristics

Conductor cross-section, range	630 ... 1200 mm ²
--------------------------------	------------------------------

Electrical characteristics

Rated Voltage U _o /U (Um)	-
Maximal partial discharge at 2U _o	10 pC
Dielectric withstand voltage, 50Hz 1mn	93.5 kV
Impulse voltage	200 kV

Usage characteristics

Interface	C (630 - 1250 A)
-----------	------------------



Connector shape
T-shaped

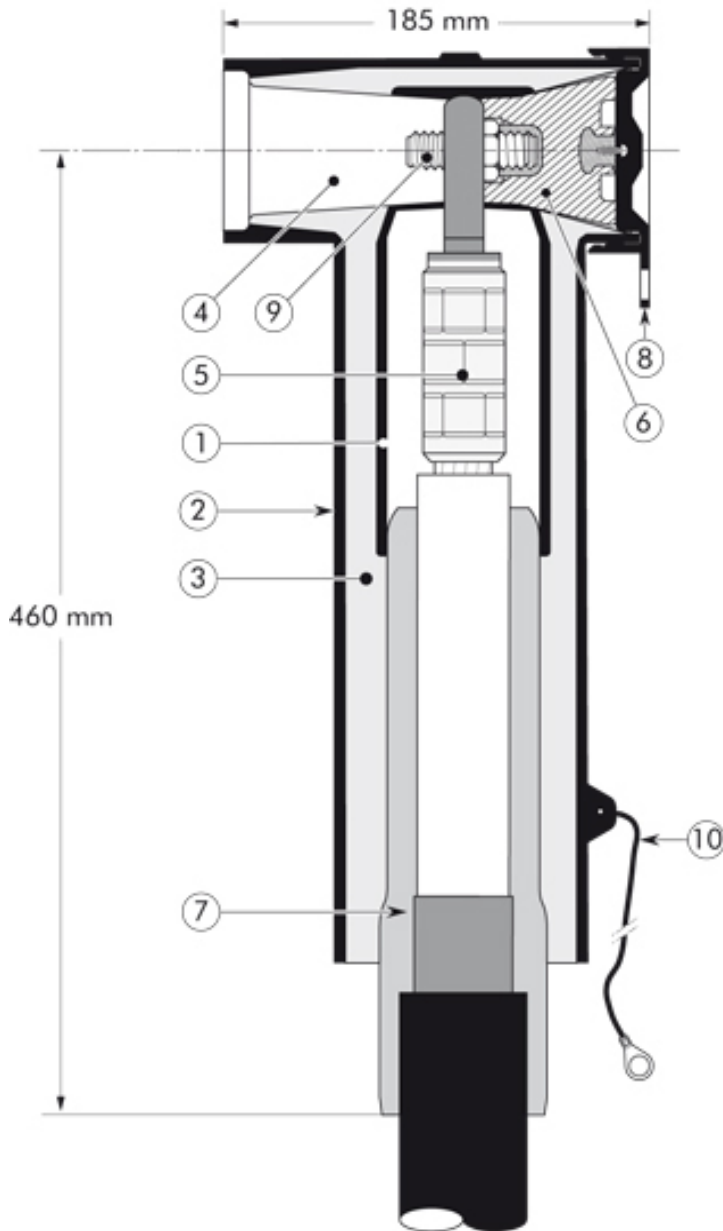


Rated Voltage U_o/U (Um)
-



Interface
C (630 - 1250 A)

DESIGN



Design

Separable connector comprising:

1. Conductive EPDM insert.
2. Conductive EPDM jacket.
3. Insulating EPDM layer moulded between the insert and the jacket.
4. Type C - interface as described by CENELEC EN 50180 and 50181.
5. Conductor connector.
6. Basic insulating plug (with VD point).
7. Cable reducer.
8. Conductive rubber cap.
9. Stud+nut.
10. Earthing lead.

The screen break design enables cable outer sheath testing without removing or dismantling the connector.



Connector shape
T-shaped



Rated Voltage U_0/U (Um)
-



Interface
C (630 - 1250 A)