



Nexans Ref.: 400SFR-B

**CONTACT**

Sales EUROMOLD  
 sales.euromold@nexans.com

Up to 36 kV - 630 A & 1250 A  
 EUROMOLD Equipment bushing

**STANDARDS**

**Product** CENELEC EN 50180

**International** IEC 60137

**Application**

For use in equipment insulated with SF6 gas.

**Technical characteristics**

Each bushing is tested for AC withstand and partial discharge prior to leaving the factory.

**CHARACTERISTICS**

**Construction characteristics**

Connector shape	Bushing
Connector type	Male
Conductor material	Copper
Technology	Slip-On

**Dimensional characteristics**

Conductor cross-section, range	0 ... 0 mm <sup>2</sup>
--------------------------------	-------------------------

**Electrical characteristics**

Rated Voltage U <sub>o</sub> /U (Um)	19 / 33 (36) kV
Maximal partial discharge at 2U <sub>o</sub>	10 pC
Dielectric withstand voltage, 50Hz 1mn	85.5 kV
Impulse voltage	194 kV

**Usage characteristics**

Interface	C (630 - 1250 A)
-----------	------------------



Connector shape  
 Bushing

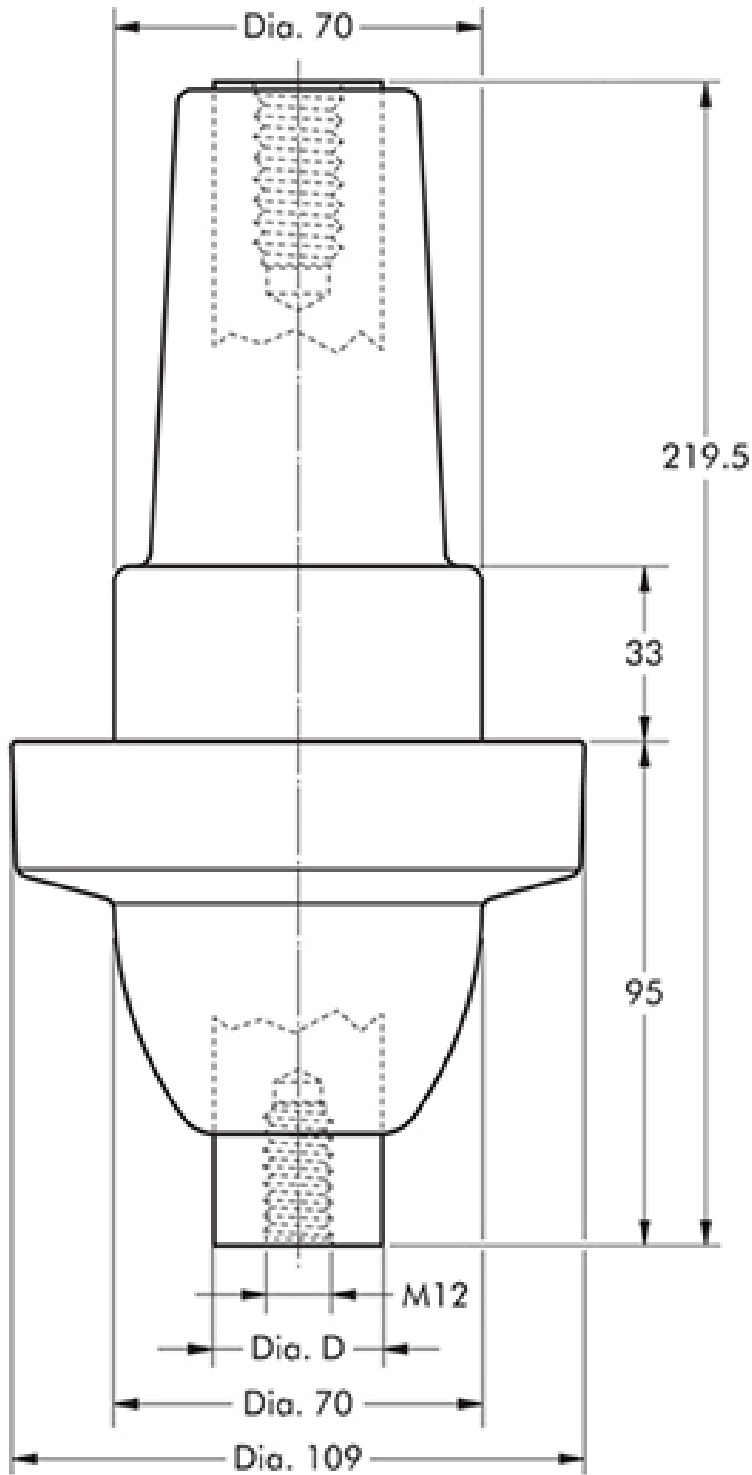


Rated Voltage U<sub>o</sub>/U (Um)  
 19 / 33 (36) kV



Interface  
 C (630 - 1250 A)

**DESIGN**



Connector shape  
 Bushing

Rated Voltage  $U_0/U$  (Um) Interface  
 19 / 33 (36) kV C (630 - 1250 A)